



## LED Light Bar Specification

Model: RL-CM280x24A1203H  
RL-CM280x24A0409H  
RL-CM560x24A1206H  
RL-CM560x24A0809H  
RL-VM600x24A0706H

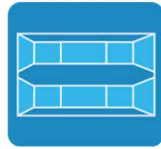
## Key Features

- ✧ High efficiency up to 170lm/W
- ✧ Various CCT available: 2700/3000/3500/4000/5000/5700/6500K
- ✧ CRI:80/90/95 options
- ✧ Macadam 3/5 steps color bin
- ✧ Solutions for Linear light/Troffer light/Panel light/Wall light
- ✧ Poke in wiring connectors
- ✧ Easy & quick for Parallel or serial wiring
- ✧ Better alternative solutions for fluorescent light
- ✧ According to Zhaga book 7 requirement

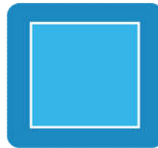
## General application



Linear light



Troffer light



Panel light



Wall light

## Applied standards



- ✧ EN 62031
- ✧ EMC: EN 55015 EN 61547 EN 61000-3-2 EN 61000-3-3 EN 61000-4-4 EN 61000-4-5
- ✧ EMI: EN55015 EN61000-3-2 EN61000-3-3
- ✧ EMS: EN61547
- ✧ EMF: EN62493

## General information

P/N	Size	Voltage -Vdc		Current -mA		Power -W		Flux	Efficiency	CCT	CRI
	mm	Typ	Max	Typ	Max	Typ	Max	Lm	Lm/W	K	-
RL-CM280x24A1203H007-840	280*24	34.8	39.6	200	450	7	18	1180	170	4000	80
RL-CM280x24A0409H007-840	280*24	11.6	13.2	600	1350	7	18	1180	170	4000	80
RL-CM560x24A1206H014-840	560*24	34.8	39.6	400	900	14	36	2360	170	4000	80
RL-CM560x24A0809H014-840	560*24	23.2	26.4	600	1350	14	36	2360	170	4000	80
RL-VM600x24A0706H008-840	600*24	24	-	340	-	8	-	1000	125	4000	80
RL-VM600x24A0706H016-840	600*24	24	-	680	-	16	-	1840	115	4000	80

**Note:** 1-Variou CCT available ( 2700-6500K ); RL-XXXXXXXXXXXXXXXX-840 ( 8-80CRI;40-4000K CCT )

2-Typical Optical-electronic parameters above @ Ta=25°C

## Selection guide Example: CM280x24A1203H007

P/N	Size	Input	Current	Power	Flux	Efficiency	CCT	CRI
	mm	VDC	mA	W	Lm	Lm/W	K	-
RL-CM280x24A1203H007-827	280*24	34.8	200	7	1050	155	2700	80
RL-CM280x24A1203H007-830					1100	160	3000	
RL-CM280x24A1203H007-835					1100	160	3500	
RL-CM280x24A1203H007-840					1180	170	4000	
RL-CM280x24A1203H007-850					1180	170	5000	
RL-CM280x24A1203H007-857					1100	160	5700	
RL-CM280x24A1203H007-865					1100	160	6500	
RL-CM280x24A1203H007-927	280*24	34.8	200	7	965	145	2700	90
RL-CM280x24A1203H007-930					1000	150	3000	
RL-CM280x24A1203H007-935					1000	150	3500	
RL-CM280x24A1203H007-940					1100	160	4000	
RL-CM280x24A1203H007-950					1100	160	5000	
RL-CM280x24A1203H007-957					1000	150	5700	
RL-CM280x24A1203H007-U27					280*24	34.8	200	
RL-CM280x24A1203H007-U30	900	130	3000					
RL-CM280x24A1203H007-U35	900	130	3500					
RL-CM280x24A1203H007-U40	950	140	4000					
RL-CM280x24A1203H007-U50	950	140	5000					
RL-CM280x24A1203H007-U57	900	130	5700					

## Part Number & Explanation

RL	-	C	M	280	X24	A	12	03	H	007	-	8	40
1		2	3	4	5	6	7	8	9	10		11	12
1		Relight											
2		H: AC230V L: AC120V C: constant current V: constant Voltage											
3		M: Module series											
4		Length											
5		Width											
6		A: Aluminum P: CEM3 F: FR4 C: Copper (PCB material)											
7		Circuit											
8		Circuit											
9		Efficiency level ( H: high N: normal L: low)											
10		Power; Watt											
11		CRI (8:80;9:90;U95;V:98)											
12		CCT; 27:2700K ...											

## Characteristics

Input	SELV (depends on the external driver spec. )
Rated power	Typical power (±10% tolerance)
Protection	IP20
Storage temperature	-30-85°C
Operation temperature	-30-80°C (Ts of led components)
Beam Angle	120 deg
Connectors	Poke-in Type

**Mechanical dimension** (Unit: mm)

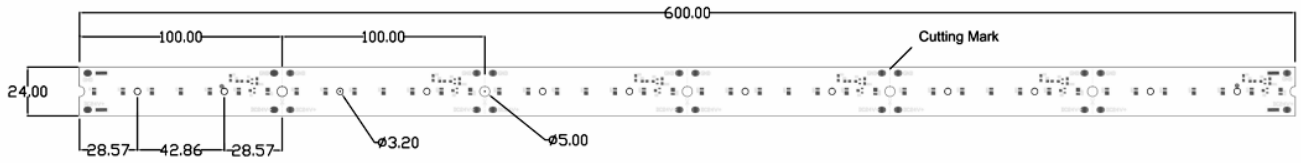


Fig1: RL-VM600x24A series outline

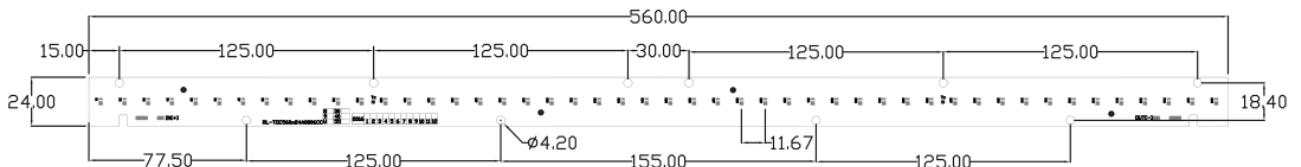


Fig2: RL-CM560x24A series outline

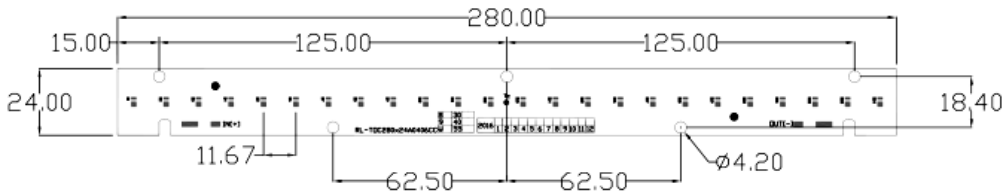
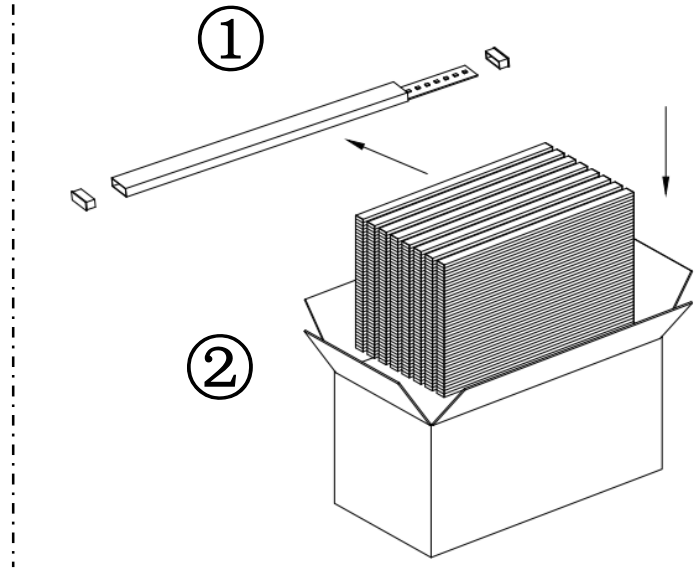
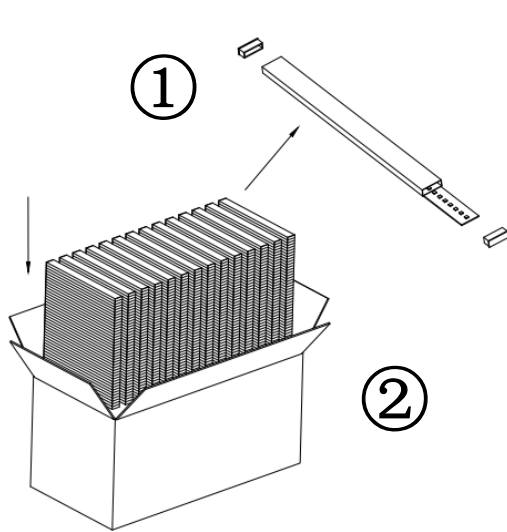


Fig3: RL-CM280x24A series outline

## Package Information



Type	Detail	Per PVC tube	Per carton
RL-CM280x24A	Modules ----pcs	1	400
	Weight ----Kg	0.07	28
	Dimension ----mm	300*32*8	700*320*320
RL-CM560x24A	Modules ----pcs	1	200
	Weight ----Kg	0.14	28
	Dimension ----mm	600*32*8	700*320*320

## Kitting matrix table of light bar and driver

Light-bar	RL-CM280x24A0409H007		RL-CM560x24A0809H014		RL-CM280x24A1203H007		RL-CM560x24A1206H014									
	Series	Parallel	Series	Parallel	Series	Parallel	Series	Parallel								
Driver	Min	Max	Min	Max	Min	Max	Min	Max	Min	Max	Min	Max	Min	Max	Min	Max
XZ-CG15B-1	2	2			1	1										
XZ-CG15B-2									1	2					1	1
XZ-CG24B-1	2	2			1	1										
XZ-CG24B-2									2	4					1	2
XZ-CG30B-1									2	6					1	4
XZ-CG45B-1									3	10					2	8
XZ-CG45B-2									3	10					2	8
XZ-CG45B-3	4	4			2	2										
XZ-CG60B-1									4	15					2	10
XZ-CG60B-2	4	4			2	2										

## Driver List

P/N	Power W	Input Vac	Output V	Output mA	Size mm	Certification
XZ-CG15B-1	6-14	100-277	15-28	420	L97*W38*H22	CCC UL+CUL TUV CB SAA RCM CE RoHS
XZ-CG15B-2	4-18		27-42	350	L97*W38*H22	
XZ-CG24B-1	14-23		15-28	700	L120*W40*H27	
XZ-CG24B-2	18-27		27-42	550	L120*W40*H27	
XZ-CG30B-1	27-35		27-42	700	L145*W42*H29	
XZ-CG45B-1	35-40		27-42	1000	L145*W42*H29	
XZ-CG45B-2	40-48		27-42	1150	L145*W42*H29	
XZ-CG45B-3	36-45		40-52	750	L145*W42*H29	
XZ-CG60B-1	48-62		27-42	1500	L158*W53*H30	
XZ-CG60B-2	53-65		40-52	1100	L158*W53*H30	

## Wiring example

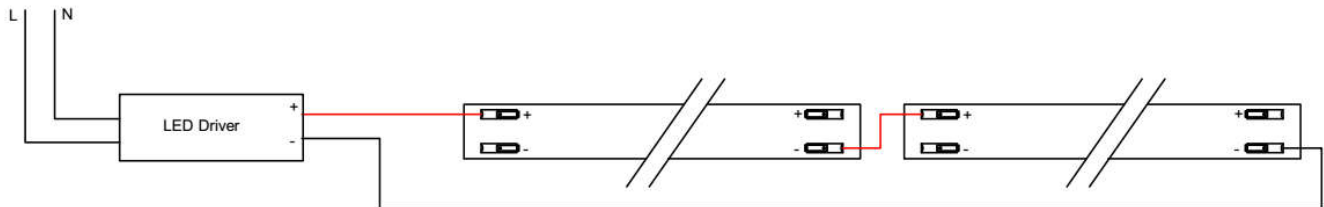


Fig4: Light bar connected in series

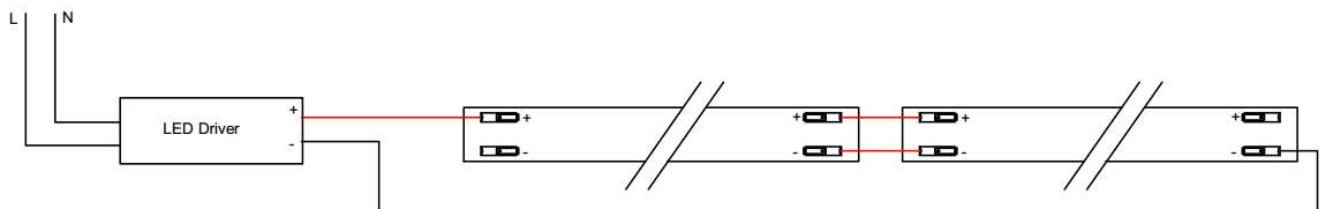
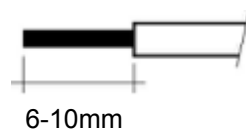


Fig5: Light bar connected in parallel

## Wire preparation

0.2–0.75 mm<sup>2</sup>(AWG24-18)





## Safety Information

1. The LED module and all its components shall not be subjected to mechanical stress
2. Correct electrical polarity, or not module may be damaged
3. Ensure the power supply is suitable for the total load.
4. Electrostatic Discharge (ESD) precautions shall be incorporated when handling or installing the module.
5. Installation of LED modules shall be made referring to all applicable electrical and safety standards.
6. Suitable for luminaire of protection class 1, grounding is mandatory to comply with safety standards
7. The AC light engine needs to be mounted to a heat sink with a thermal interface material between them
8. It is better to use the AC led module with safety cover
9. Modules may be hot to the touch. Use caution when handling.

Shenzhen Relight Technology Co.,Ltd

6th Floor, Building A, Guancheng Industrial  
Park, Gongming Town, Guangming District,  
Shenzhen, China

[www.relight-tech.com](http://www.relight-tech.com)

[Sales@relight-tech.com](mailto:Sales@relight-tech.com)